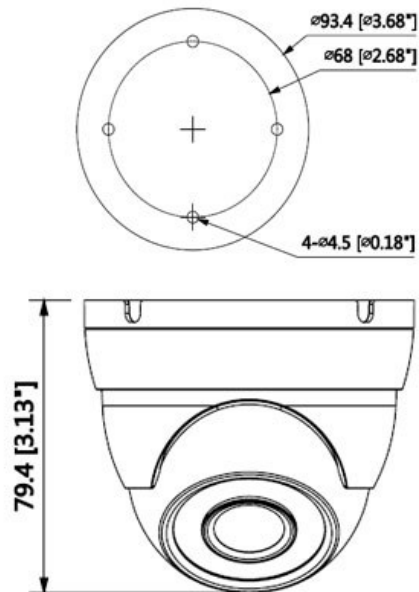


# CP- UVC-DB40L3-D

4 MP WDR IR HDCVI Dome Camera - 30 Mtr.



## Main Features

- 1/3" 4MP PS CMOS Image Sensor
- Max. 25fps@4MP
- WDR(120dB), Day/Night (ICR), 2D/3D DNR, AWB, AGC, BLC, HLC
- 3.6mm lens (2.8mm, 6mm optional)
- OSD Menu, control over coaxial cable, 2D/3D-DNR
- IR Range of 30 Mtrs., IP67
- HD and SD dual-output



\*Product casing and specifications are subject to change without prior notice

# CP- UVC-DB40L3-D

4 MP WDR IR HDCVI Dome Camera - 30 Mtr.



## Feature

Image Sensor  
Minimum Illumination  
Effective Pixels  
Shutter Speed  
White Balance  
Gain Control (AGC)  
Lens  
Back Light Compensation  
S/N Ratio  
Video Streaming  
Video Output  
ICR  
OSD  
IR  
No. of IR LEDs  
Operating Temperature  
Power Source  
Power Consumption  
Weatherproof Standard  
Dimension  
Weight

## Specification

1/3" PS CMOS  
0.01Lux/F1.5, 0Lux IR on  
2560×1440 , 4MP  
PAL: 1/4s~1/100,000s , NTSC: 1/3s~1/100,000s  
Auto / Manual  
Auto/Manual  
3.6mm (2.8mm, 6mm Optional)  
BLC / HLC / WDR(120dB)  
More than 65dB  
25fps@4MP , 25/30fps@1080P , 25/30fps@720P  
1-channel BNC HDCVI high definition video output & 1-channel BNC CVBS video output  
Auto (ICR) / Manual  
Multi-language  
IR Range of 30 Mtr.  
12pcs  
-30°C~+60°C / Less than 90%RH  
12V DC ±25%  
Max 4.1W (12V DC, IR on)  
IP67  
Φ93.4mm x 79.4mm (Φ3.68"×3.13")  
0.28 kg